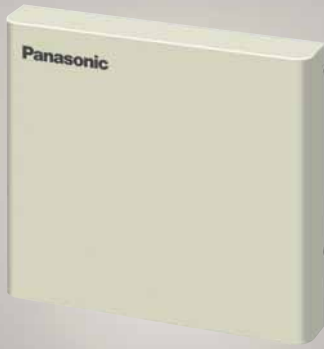


NEW



Panasonic

AIR HANDLING UNIT KIT

Ahu Kit connects PACi/VRF outdoor units to Air Handling Units System

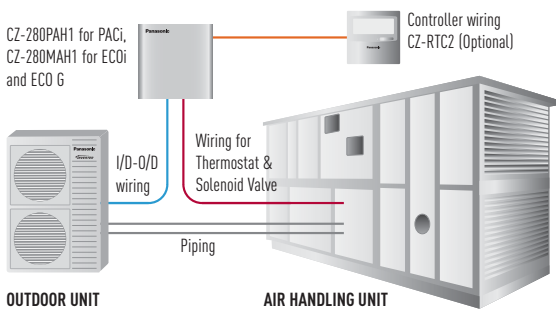


Connect you Air Handling Unit to your Panasonic air conditioning (PACi, ECOi or ECO G) for a high efficiency operation

Application: Hotels, offices, server rooms or all large buildings where air quality control such as humidity control and fresh air and is needed.

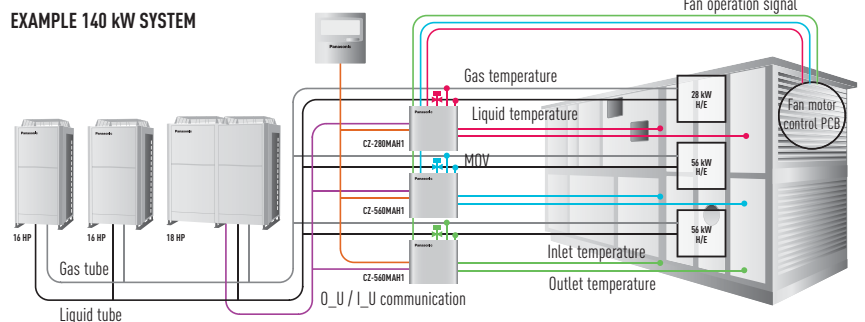
Possible Solution 1 by 1 (PACi or ECOi and ECO G)

PCB, Transformer, Solenoid Control Valve, Thermistor x 4 pcs (x 3 pcs in PACi), Terminal Base and Electrical Component Box.



System example only for ECOi and ECO G for large capacity (more than 56 kW)

3 x (PCB, Transformer, Solenoid Control Valve, Thermistor x 4 pcs, Terminal Base and Electrical Component Box).



AIR HANDLING UNIT KIT TO CONNECT TO YOUR VENTILATION SYSTEM

5-25 kW FOR PACi

28 kW AND 56 kW FOR ECOi AND GHP

AHU CONNECTION KIT

PCB, Power trans., Terminal block



Remote control can be easily installed on the AHU Kit box. Remote control must be purchased separately.



Expansion valve



Thermistor x2 (Refrigerant: E1, E3)



Thermistor x2 (x1 in PACi) (Air: T1, T2)



OPTIONAL REMOTE CONTROLLER

Standard wired remote controller. CZ-RTC2



Panasonic
PRO Club

Calculation software is available on www.panasonicproclub.com

Or connect simply with your Smartphone to the PRO Club using this QR.



Optional parts: Following functions are available by using different type of control accessories:

CZ-RTC2 Wired remote controller

- Operation-ON/OFF
- Mode select
- Temperature setting

* Fan operation signal can be taken from the PCB.

CZ-T10 terminal

- Input signal= Operation ON/OFF
- Remote controller prohibition
- Output signal= Operating-ON status
- Alarm output (by DC12 V)

PAW-OCT, DC12 V outlet. Option terminal

- Output signal= Cool / Heat/Fan status
- Defrost
- Thermostat-ON

CZ-CAPBC2 Mini seri-para I/O unit

- Temperature setting by 0-10 V or 0-140 Ω input signal
- Room (inlet air) temp outlet by 4-20 mA
- Mode select or/and ON/OFF control
- Fan operation control
- Operation status output/ Alarm output

Technical Zoom

- Maximum capacity: 60 HP (168 kW)
- Maximum piping length: 180 m
- Maximum total piping: 210 m
- Elevation difference (in/out): 50 m (outdoor unit above)
- Elevation difference (in/in): 4 m
- In/Out capacity ratio: 50-100%. Maximum indoor units number: 2 units
- Available temperature range in Heating: -15-15.5 °C
- Available temperature range for the suction air at AHU Kit: Cool: 15-24 °C / Heat: 10-30 °C

CZ-280PAH1 // CZ-280MAH1 // CZ-560MAH1

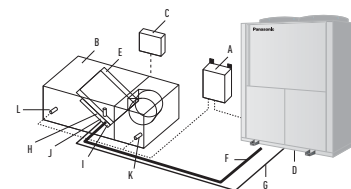
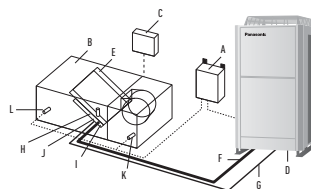
- The system controlled by the suction air (or return air from room) temperature as same as standard indoor unit. (Selectable mode: Automatic / Cooling / Heating / Fan / Dry (but same as Cool))
- The discharge air temperature is also controlled to prevent too-low air discharge in Cooling or too-high air discharge in Heating. (in case of VRF system)
- Demand control (Forcible thermostat-OFF control by operating current)
- Defrost operation signal, Thermo-ON/OFF states output
- Drain pump control (Drain-pump and the float switch to be supplied in local)
- External target temperature setting via Indoor/Outdoor signal interface is available with CZ-CAPBC2. (Ex. 0 - 10 V)
- Connectable with P-LINK system
- Fan control signal from the PCB can be used for control the air volume (High/Mid/Low and LL for Th-off)



SYSTEM & REGULATIONS. SYSTEM OVERVIEW

- A: AHU Kit controller box (with control PCB)
- B: AHU Kit equipment (Field supplied)
- C: AHU Kit system controller (Field supplied)
- D: Outdoor unit
- F: Gas piping (Field supplied)

- G: Liquid piping (Field supplied)
- H: Electronic expansion valve
- I: Thermistor for Gas pipe
- J: Thermistor for Liquid pipe
- K: Thermistor for Suction air
- L: Thermistor for Discharge air



AHU CONNECTION KIT, 28 kW AND 56 kW FOR ECOi AND ECO G	Cooling capacity Nominal kW	Heating capacity Nominal kW	Horsepower HP	Cooling Airflow m ³ /min	Bypass Factor	Dimensions of the box H x W x D mm	Piping length		Elevation diff. (in/out) m	Pipe Diameters		Intake temperature of AHU Kit Min / Max °C	Ambient temperature of outdoor unit Min / Max °C
							Min / Max m	Max m		Liquid pipe Inch (mm)	Gas pipe Inch (mm)		
CZ-280MAH1	28.0	31.5	10	5,000 / 3,500	0.9 (recommended)	420 x 280 x 160	10 / 100	10	3/8 (9.52)	7/8 (22.22)	Cooling: 18 - 32DB (13 - 23 WB) / Heating: 16 - 30 DB	Cooling: -5 - 43 DB / Heating: -15 - 15.5 WB	
CZ-560MAH1	56.0	63.0	20	10,000 / 7,000	0.9 (recommended)	420 x 280 x 160	10 / 100	10	5/8 (15.88)	1 1/8 (28.58)			
CZ-280MAH1 + CZ-560MAH1	84.0	95.0	30	15,000 / 10,500	0.9 (recommended)	420 x 280 x 160	10 / 100	10	3/4 (19.05)	1 1/4 (31.75)			
CZ-560MAH1 x2	112.0	127.0	40	20,000 / 14,000	0.9 (recommended)	420 x 280 x 160	10 / 100	10	3/4 (19.05)	1 1/2 (38.15)			
CZ-560MAH1 x2 + CZ-280MAH1	140.0	155.0	50	25,000 / 17,500	0.9 (recommended)	420 x 280 x 160	10 / 100	10	3/4 (19.05)	1 1/2 (38.15)			
CZ-560MAH1 x3	168.0	189.0	60	30,000 / 21,000	0.9 (recommended)	420 x 280 x 160	10 / 100	10	3/4 (19.05)	1 1/2 (38.15)			

AHU Connection Kit / System Combination

AHU Connection Kit / System Combination	Capacity (HP)	Outdoor unit combination	AHU kit combination	
PACi	All capacities	Common use for all outdoor units Standard and Elite	CZ-280PAH1 (Only 1 by 1 connection is allowed)	
2-PIPE ECOi 6N SERIES	28 kW (10 HP)	U-10ME1E81	CZ-280MAH1	
	56 kW (20 HP)	U-20ME1E81	CZ-560MAH1	
	84 kW (30 HP)	U-16ME1E81	U-14ME1E81	CZ-560MAH1
	112 kW (40 HP)	U-20ME1E81	U-20ME1E81	CZ-560MAH1
	140 kW (50 HP)	U-18ME1E81	U-16ME1E81	U-16ME1E81
ECO G AND ECO G MULTI	56 kW (20 HP)	U-20ME1E81	U-20ME1E81	CZ-560MAH1
		U-20GE2E5		CZ-560MAH1

Panasonic

To find out how Panasonic cares for you, log on to: www.aircon.panasonic.eu

Contact Details: Telephone: 01344 853182 / www.aircon.panasonic.eu

Address: Panasonic Air Conditioning: Panasonic House // Willoughby Road // Bracknell // Berkshire // RG12 8FP

heatingandcoolingsystems